

STEPHEN PERRY SMITH ARCHITECTS

N88 W16447 MAIN STREET SUITE 400  
MENOMONEE FALLS, WISCONSIN 53051  
TELEPHONE: 262-437-4000  
FACSIMILE: 262-437-4001

PROJECT

WATERFORD RETAIL CENTER

WESTERRA BUSINESS CAMPUS  
WATERFORD, WISCONSIN

OWNER

COOK AND COMPANY, LLC

P.O. BOX 171005  
MILWAUKEE, WI 53217

PHASE II BUILDING PLAN NOTES

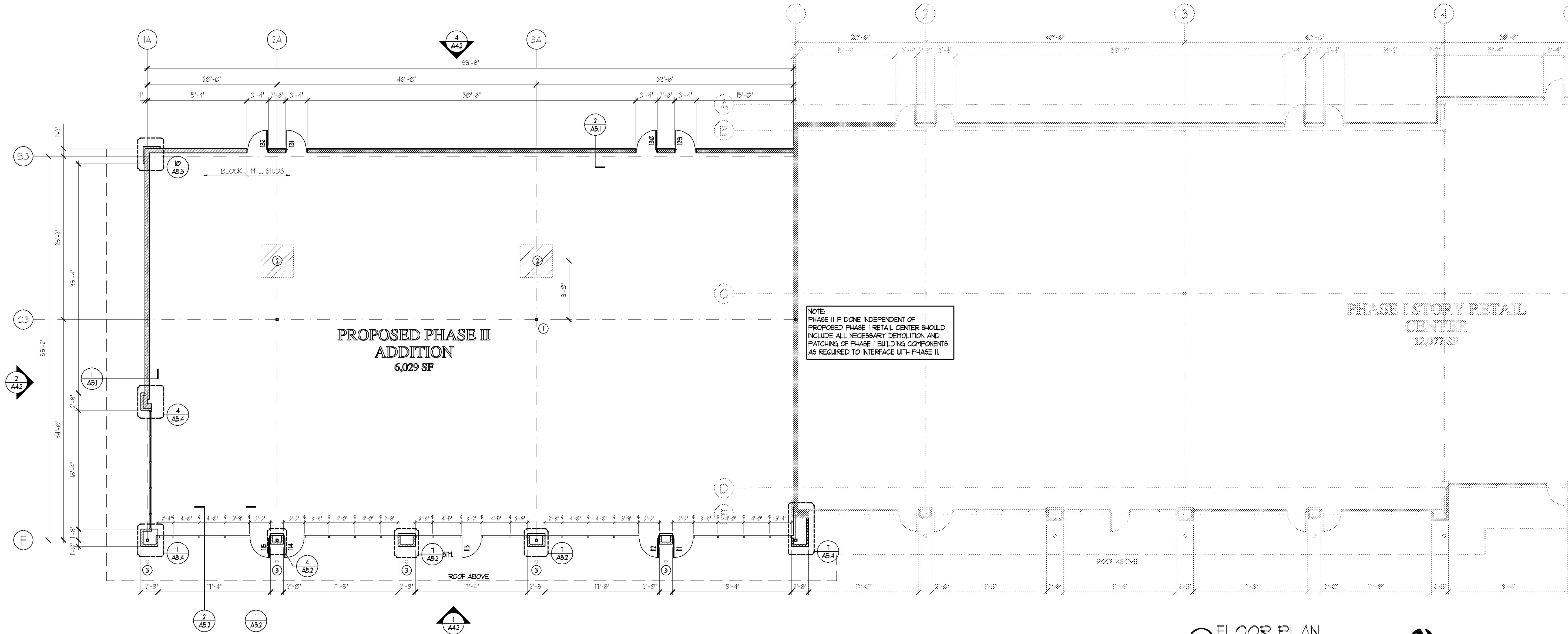
REVISIONS

ITEM	DATE	BY

INFORMATION

PROJECT ARCHITECT SPS  
DRAWN BY MAM  
PROJECT NUMBER CDC-03-253  
ISSUED FOR CONSTRUCTION  
DATE MAY 11, 2004  
SHEET NO.

A1.2



NOTE:  
PHASE II IF DONE INDEPENDENT OF  
PROPOSED PHASE I RETAIL CENTER SHOULD  
INCLUDE ALL NECESSARY DEMOLITION AND  
PATCHING OF PHASE I BUILDING COMPONENTS  
AS REQUIRED TO INTERFACE WITH PHASE II.

1 FLOOR PLAN SCALE: 1/8" = 1'-0"

PLAN KEYNOTES

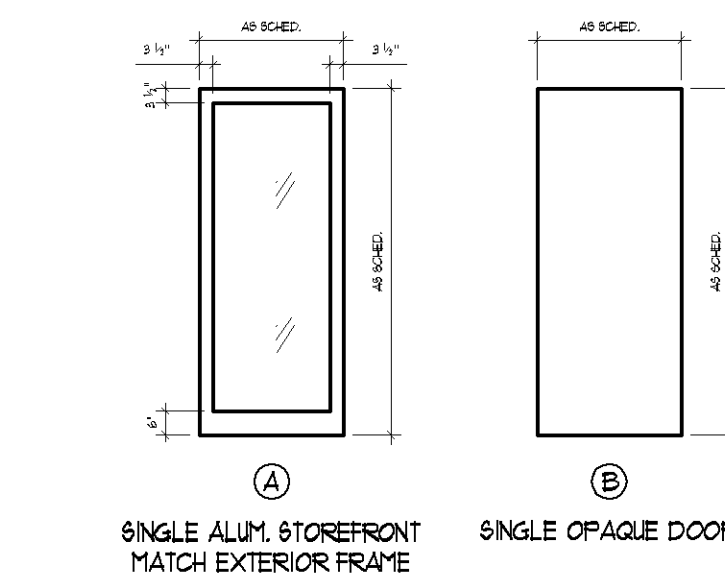
- 1 WALL HUNG FIRE EXTINGUISHER
- 2 5'x5' LEAVE-OUT FOR FUTURE PLUMBING ACCESS
- 3 6" PREFINISHED RECESSED CAN W/ 60 WATT LIGHT AS SHOWN

DOOR & FRAME SCHEDULE

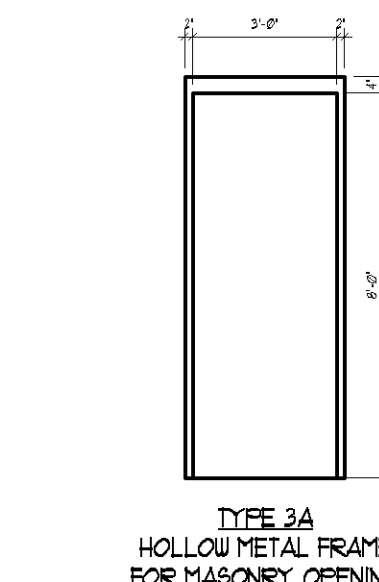
DOOR NUMBER	SIZE		DOOR			FRAME			RATING	HARDWARE GROUP	REMARKS				
	W	H	TYPE	MATL	FINISH	GLASS	TYPE	MATL				FINISH			
111	3'-0"	7'-0"	2A	AL/GL	-	1/4"	-	AL	-	4	4	-	-	1	STOREFRONT DOOR
112	3'-0"	7'-0"	2A	AL/GL	-	1/4"	-	AL	-	4	4	-	-	1	STOREFRONT DOOR
113	3'-0"	7'-0"	2A	AL/GL	-	1/4"	-	AL	-	4	4	-	-	1	STOREFRONT DOOR
114	3'-0"	7'-0"	2A	AL/GL	-	1/4"	-	AL	-	4	4	-	-	1	STOREFRONT DOOR
115	3'-0"	7'-0"	2A	AL/GL	-	1/4"	-	AL	-	4	4	-	-	1	STOREFRONT DOOR
129	3'-0"	7'-0"	2B	HM	PAINT	-	3A	HM	PAINT	5	5	-	-	2	EXTERIOR MAN DOOR
130	3'-0"	7'-0"	2B	HM	PAINT	-	3A	HM	PAINT	5	5	-	-	2	EXTERIOR MAN DOOR
131	3'-0"	7'-0"	2B	HM	PAINT	-	3A	HM	PAINT	5	5	-	-	2	EXTERIOR MAN DOOR
132	3'-0"	7'-0"	2B	HM	PAINT	-	3A	HM	PAINT	5	5	-	-	2	EXTERIOR MAN DOOR

HARDWARE GROUP

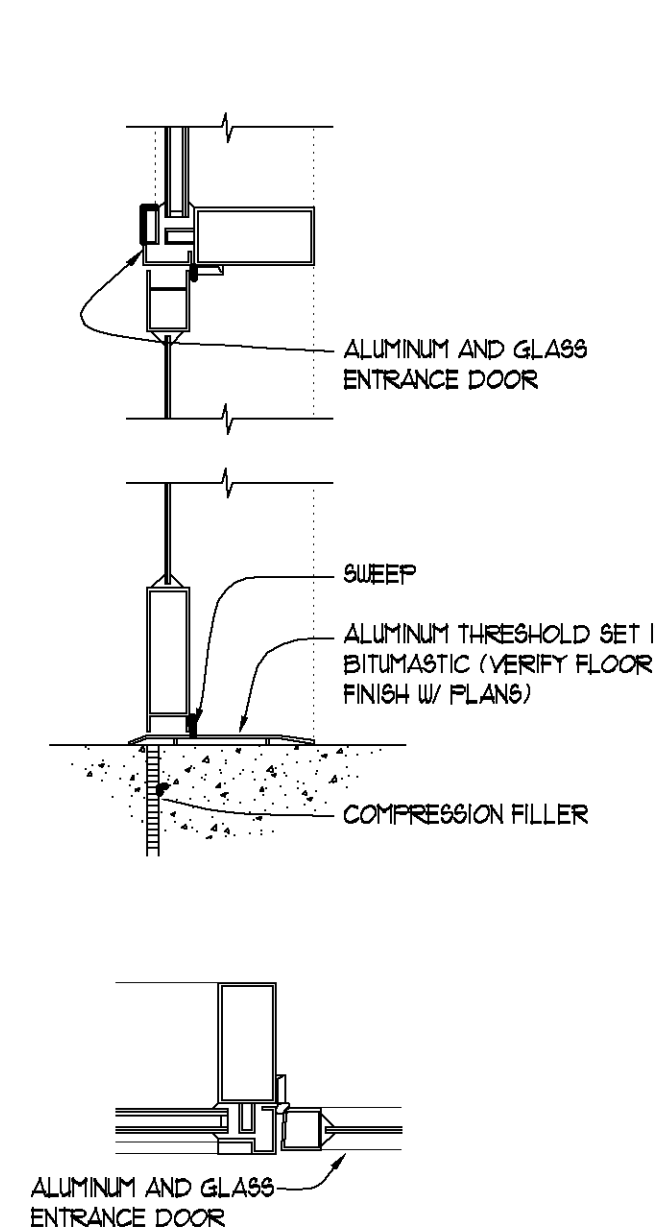
HARDWARE SET #1	HARDWARE SET #2
SINGLE STOREFRONT ENTRY DOORS-LOCK	EXTERIOR DOOR-LOCK
LOCK SET	LOCK SET W/ DUMMY PLATE
THRESHOLD	THRESHOLD
CLOSER	CLOSER
1-1/2 PAIRS B.B. BUTTS	1-1/2 PAIRS HEAVY DUTY B.B. BUTTS



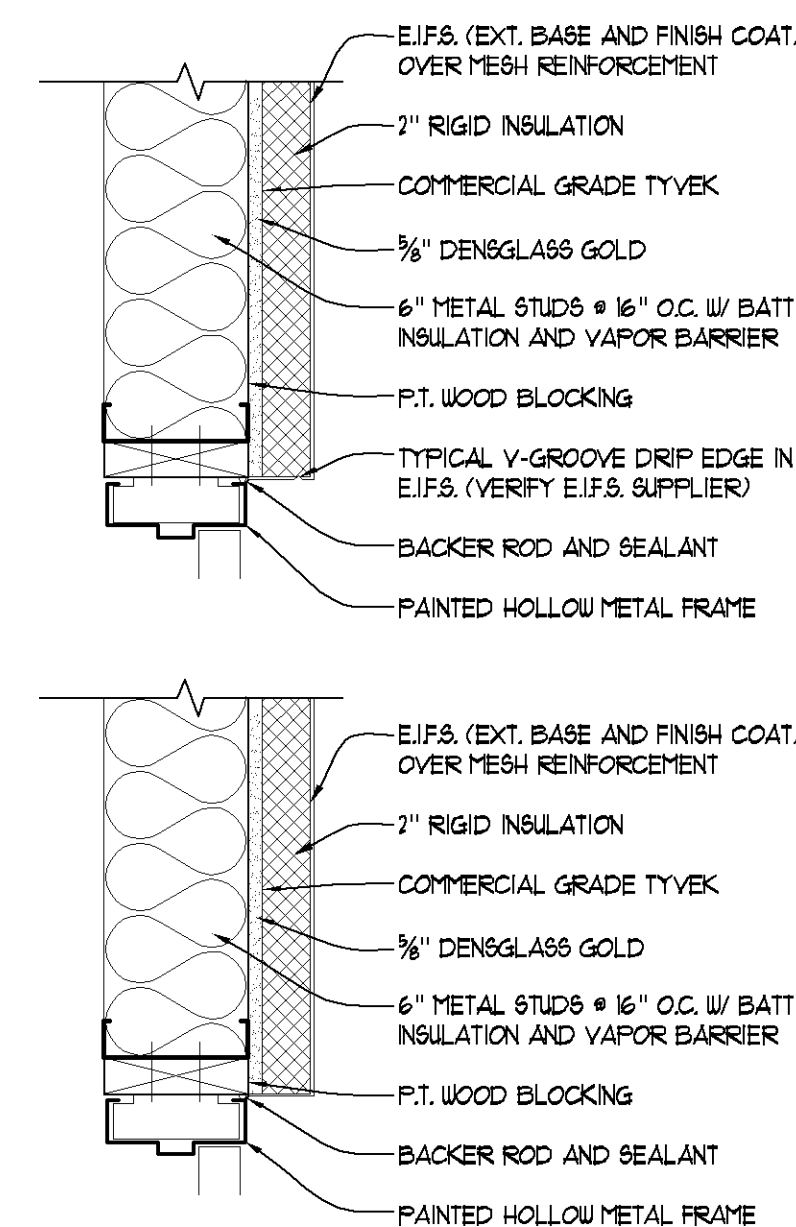
2 DOOR ELEVATION SCALE: 1/4" = 1'-0"



3 FRAME ELEVATION SCALE: 1/4" = 1'-0"



4 FRAME DETAIL SCALE: 1-1/2" = 1'-0"



5 FRAME DETAIL SCALE: 1-1/2" = 1'-0"